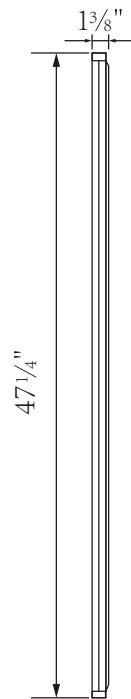
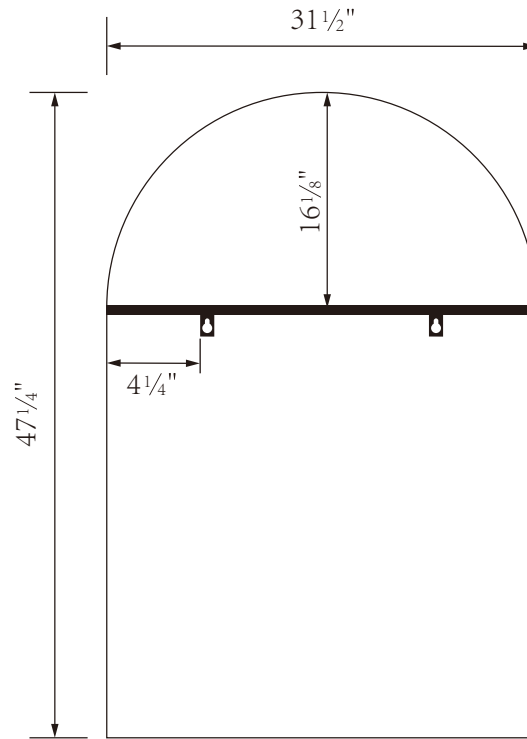


Front View



Side View



Back View

DWG. NO.

MODEL NO:
MR613248BR

SPEC NO:

QUANTITY:

DATE:

CHECKED BY:

FOR PROPOSAL ONLY ALL
DIMENSIONS TO BE VERIFIED

PROJECT:

COLOR:

FINISH:


REVISIONS

| | |
|---|--|
| 1 | |
| 2 | |
| 3 | |
| 4 | |
| 5 | |
| 6 | |

 **ELEGANT**
FURNITURE & LIGHTING™

500-550 E. Erie Avenue
Philadelphia PA 19134
1-888-388-3390

| Model # | Product Type | Style | Product Width (in) | Product Depth (in) | Product Height (in) | Mirror Width | Mirror Depth |
|---------------|----------------|----------------|--------------------|--------------------|----------------------------|--------------------|---------------|
| MR613248BR | Mirror | Contemporary | 31.5 | 1.38 | 47.25 | 30 | 0.2 |
| Mirror Height | Frame shape | Orientation | Frame finish | Frame material | Mounting / attachment type | Number of brackets | Beveled glass |
| 45.5 | Window | Vertical | Brass | Metal | Metal Inset hanger | 2 | No |
| Frameless | Package LENGTH | Packaged WIDTH | Packaged HEIGHT | Package Weight | Product weight | Shipment Type | |
| No | 52.17 | 36.61 | 3.15 | 17.78 | 13.3 | Small Parcel | |

| | |
|---|--|
| DWG. NO. | |
| MODEL NO: MR613248BR | |
| SPEC NO: | |
| QUANTITY: | |
| DATE: | |
| CHECKED BY: | |
| FOR PROPOSAL ONLY ALL DIMENSIONS TO BE VERIFIED | |
| PROJECT: | |
| COLOR: | |
| FINISH: | |
| REVISIONS | |
| ① | |
| ② | |
| ③ | |
| ④ | |
| ⑤ | |
| ⑥ | |
|  ELEGANT FURNITURE & LIGHTING™ | |
| 500-550 E. Erie Avenue | |
| Philadelphia PA 19134 | |
| 1-888-388-3390 | |